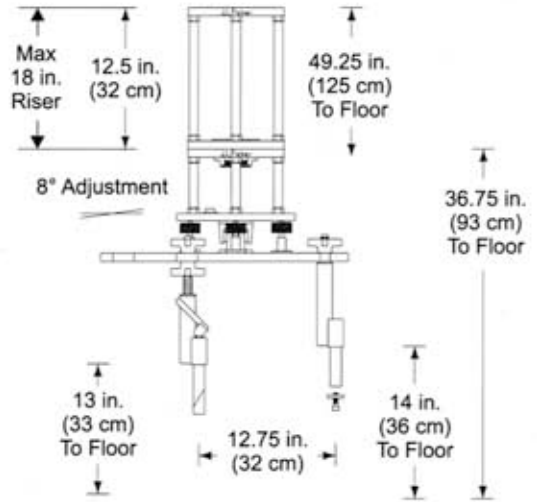
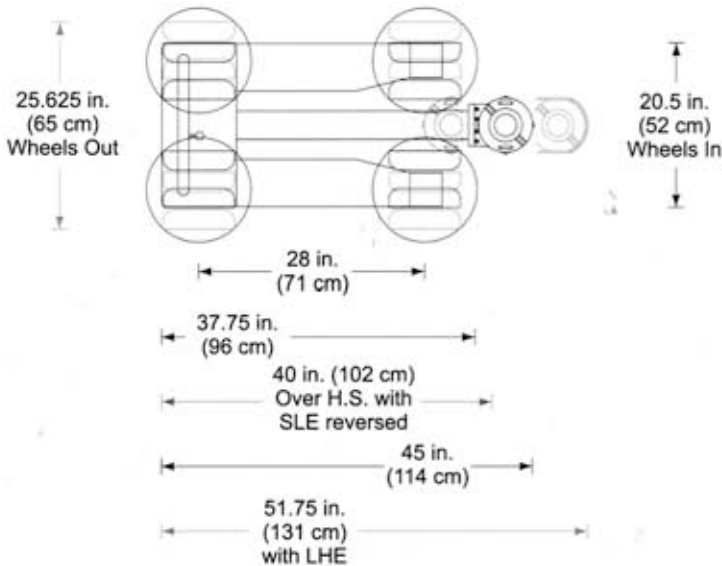


Maximum Lift Beam Elevation .....	51.25 in. (130 cm)
Minimum Elevation (standard head) .....	13.875 in. (35 cm)
Minimum Elevation (long low level head) .....	3 in. (8 cm)
Vertical Beam Travel .....	33.375 in. (85 cm)
Lift Beam Capacity .....	200 pounds (90.72 kg)
Lifts per System Charge .....	7
Length .....	40 in. (102 cm)
Width (wheels in) .....	20.5 in. (52 cm)
Width (wheels out) .....	25.625 in. (68 cm)
Height (operating) .....	39.75 in. (101 cm)
Height (folded) .....	23.5 in. (60 cm)
Height (center mount, before riser) .....	36.75 in. (93 cm)
Minimum Turn Radius (round steering) .....	16.188 in. (41 cm)
Minimum Turn Radius (conventional steering) .....	33.5 in. (85 cm)
Carrying Weight .....	307 pounds (139.25 kg)
Maximum Dolly Load Capacity .....	900 pounds (408.23 kg)
Crated Size .....	59 in. (150 cm) L x 31 in. (79 cm) W x 34 in. (86 cm) H
Crated Weight .....	775 pounds (351.5 kg) (standard package)

DIMENSIONS

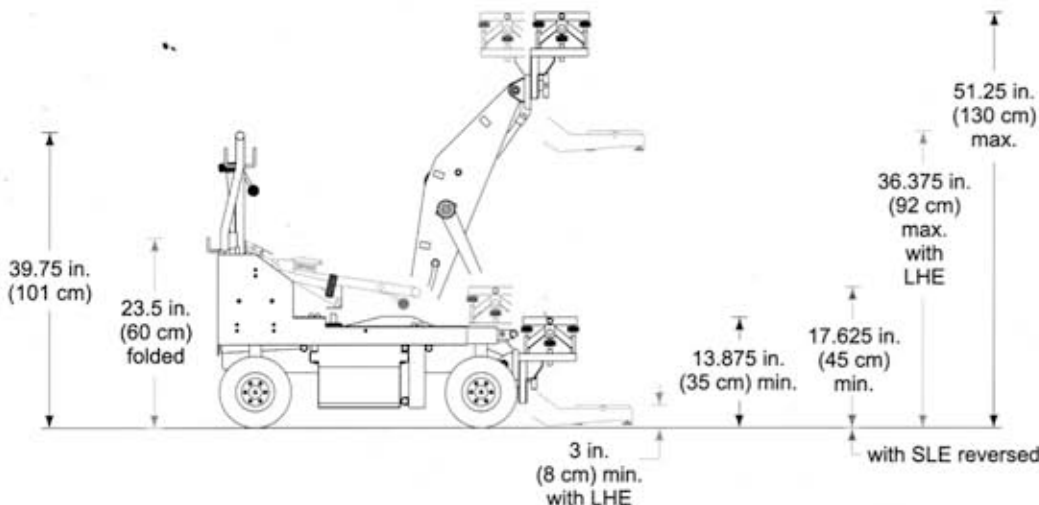


CENTER MOUNT (CM)

The Center Mount (CM), supports jib arms, lightweight camera booms and counterbalanced camera cranes. The Center Mount has thumbscrews for four-way leveling adjustment and a leveling indicator. Easily installed, the Center Mount has a standard Mitchell mount and comes with a heavy duty 12-inch Riser (R12).

The maximum gross load capacity of the Model 11 Dolly is 900 pounds (408 kg). Center Mount is not for supporting personnel or personnel carrying cranes.

MODEL 11 DOLLY



FOLDING CONTROLS