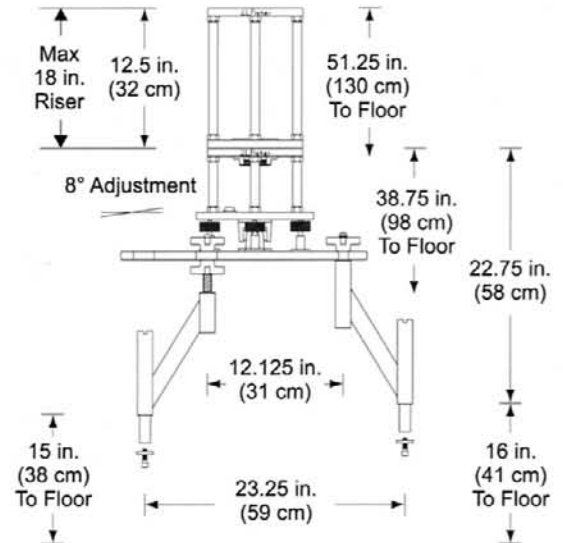
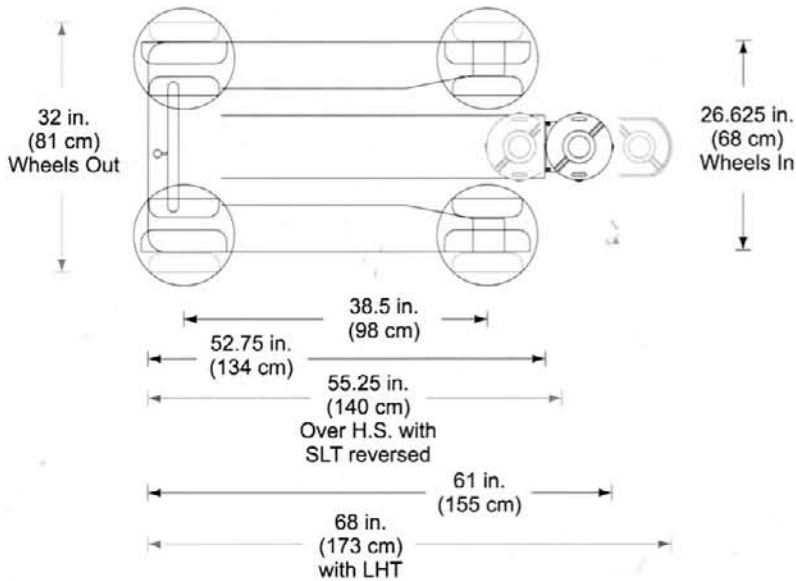


Maximum Lift Beam Elevation	63 in. (160 cm)
Minimum Elevation (standard head)	16 in. (41 cm)
Minimum Elevation (long low level head)	4.75 in. (12 cm)
Vertical Beam Travel	47 in. (119 cm)
Lift Beam Capacity	500 pounds (227 kg)
Lifts per System Charge	7
Length	54 in. (137 cm)
Width (wheels in)	26.625 in. (68 cm)
Width (wheels out)	32 in. (81 cm)
Height (operating)	38.5 in. (98 cm)
Height (folded)	25 in. (64 cm)
Height (center mount, before riser)	38.75 in. (98 cm)
Minimum Turn Radius (round steering)	22 in. (56 cm)
Minimum Turn Radius (conventional steering)	44 in. (112 cm)
Carrying Weight	420 pounds (190 kg)
Maximum Dolly Load Capacity	1200 pounds (544 kg)
Crated Size	59 in. (150 cm) L x 31 in. (79 cm) W x 34 in. (86 cm) H
Crated Weight	928 pounds (421 kg) (standard package)

DIMENSIONS

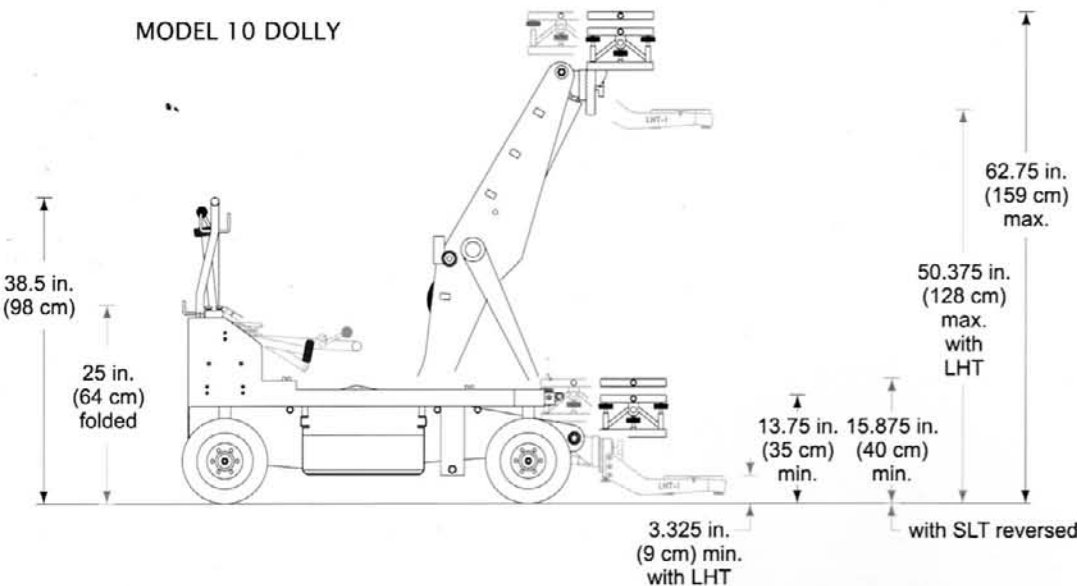


CENTER MOUNT (CM)

The Center Mount (CM), supports jib arms, lightweight camera booms and counterbalanced camera cranes. The Center Mount has thumbscrews for four-way leveling adjustment and a leveling indicator. Easily installed, the Center Mount has a standard Mitchell mount and comes with a heavy duty 12-inch Riser (R12).

The maximum gross load capacity is 1200 pounds (544 kg). Center Mount is not for supporting personnel or personnel carrying cranes.

MODEL 10 DOLLY



FOLDING CONTROLS